

PRODUCT SPECIFICATION 产品规格书

NF65464K-01

Single handle wall-mount bath shower Faucet

单把挂墙浴缸淋浴龙头本体组



(Rough-in Dimensions):

安装尺寸图:

(Unit): mm

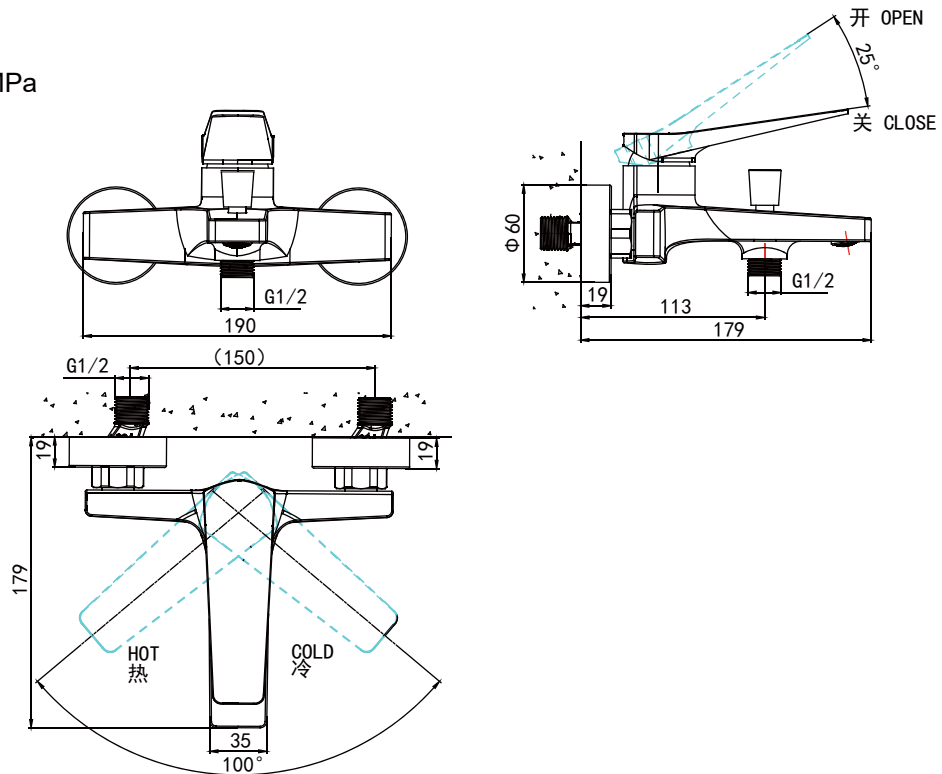
单位: 毫米

Pressure range: 0.1-0.5MPa

水压范围: 0.1-0.5MPa

Best to use: 0.3MPa

最优水压: 0.3MPa



Item No. 品号	NF65464K-01		
Available Color 颜色	Black 黑色		
Materials 材质	Brass 铜		
Cartridge 阀芯	Φ35 ceramic cartridge Ø35陶瓷阀芯		
Aerator 起泡器	Neoperl 纽珀		
Shipping Package 运输包装	Set/CTN: 8 Set 套/箱: 8套	M ³ /CTN: 0.08 M ³ 体积/箱: 0.08 M ³	G.W/CTN: 20 kg 毛重/箱: 20kg

Remarks: Matchable with different shower sets. 0.1MPa±0.02MPa: Outlet water flow of shower 6.8L/min, Outlet water flow of hand shower 8.5L/min, 0.1MPa±0.02MPa: Outlet water flow of shower 12.1L/min, Outlet water flow of hand shower 15.5L/min.

备注: 可搭配不同的花洒组。动态水压0.1MPa±0.02MPa: 出水口流量: 6.8L/min, 手握花洒位流量: 8.5L/min; 动态水压0.3MPa±0.02MPa: 出水口流量: 12.1L/min, 手握花洒位流量: 15.5L/min。

INNOCI reserves the right to make changes or modifications on any of its products without advance notice.

INNOCI 艺耐公司保留不事先通知便改变或修改的权利

innoci®

Innoci Sanitary ware Co., Ltd
www.innoci.com

Version:A0
版本:A0