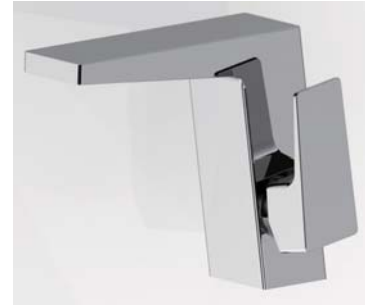


# PRODUCT SPECIFICATION 产品规格书

## NF11313C

Single Handle Basin Faucet

单孔单把面盆龙头



(Rough-in Dimensions):

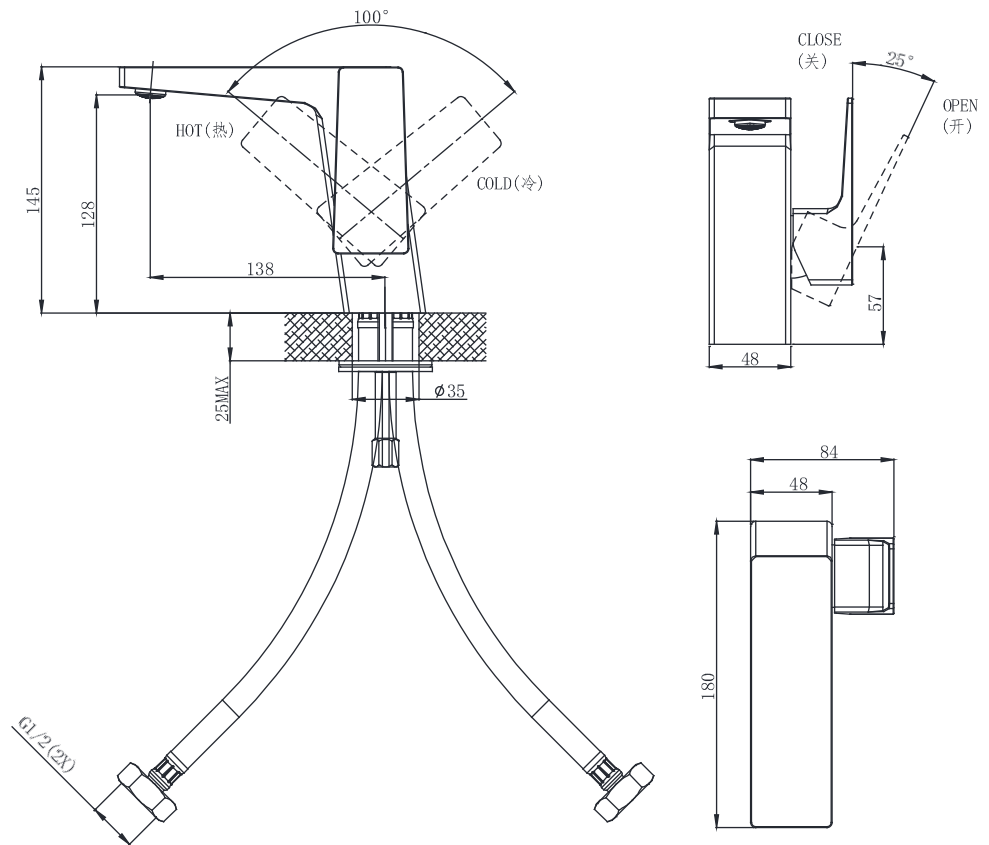
安装尺寸图:

(Unit): mm

单位: 毫米

Standard pressure: 0.3Mpa

标准水压: 0.3Mpa



|                          |                                  |   |                               |
|--------------------------|----------------------------------|---|-------------------------------|
| Item No.<br>品号           | NF11313C                         |   |                               |
| Available Color<br>颜色    | Chrome<br>铬色                     |   |                               |
| Materials<br>材质          | Brass<br>铜                       |   |                               |
| Cartridge<br>阀芯          | Φ25 ceramic cartridge<br>Φ25陶瓷阀芯 |   |                               |
| Aerator<br>起泡器           | Neoperl<br>纽珀                    |   |                               |
| Shipping Package<br>运输包装 | Set/CTN: 6 Set<br>套/箱: 6套        | M <sup>3</sup> /CTN: 0.05 M <sup>3</sup><br>体积/箱: 0.05 M <sup>3</sup> | G.W/CTN: 15 kg<br>毛重/箱: 15 kg |

Remarks: With S.S. flexible supply tube set L=500MM, Table opening size Φ35 .

备注: 包含不锈钢进水软管组 L=500MM, 台面开孔尺寸 Φ35.

INNOCI reserves the right to make changes or modifications on any of its products without advance notice.

INNOCI 艺耐公司保留不事先通知便改变或修改的权利

**innoci**<sup>®</sup>

Innoci Sanitary ware Co., Ltd  
www.innoci.com

Version:A0

版本:A0